



C-14-A/BM/CH/CHST/AEI/FW/MNG/MET/IT/TT/PCT/PKG/PPT-107

4005

BOARD DIPLOMA EXAMINATION, (C-14)

APRIL/MAY—2015

FIRST YEAR (COMMON) EXAMINATION

ENGINEERING DRAWING

Time : 3 hours]

[Total Marks : 60

PART—A

5×4=20

Instructions : (1) Answer **all** questions.

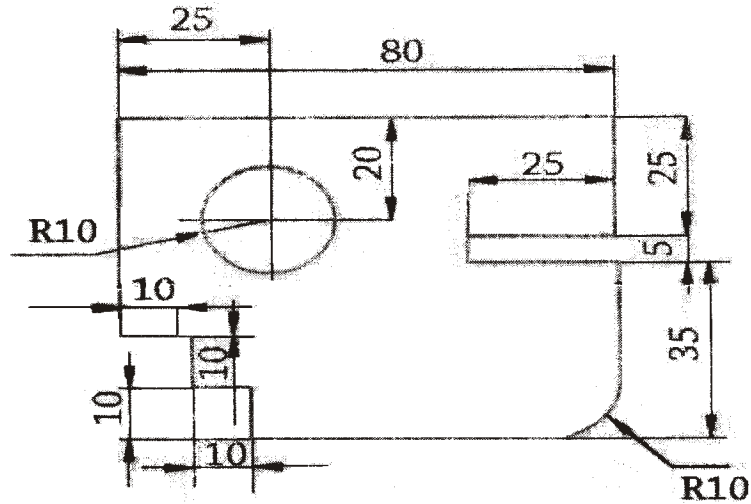
(2) Each question carries **five** marks.

(3) Take suitable scale wherever required.

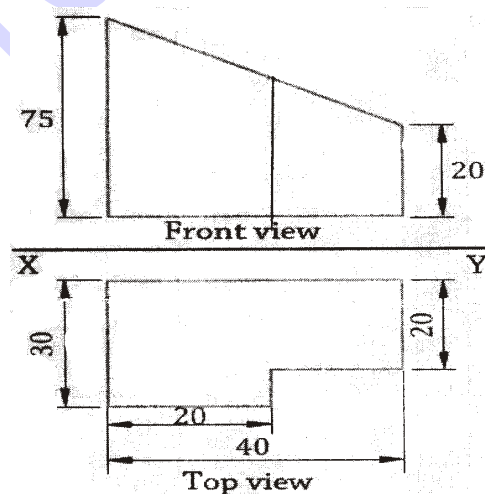
1. Write the following in single stroke vertical letters of size 10 mm :

“ALL DIMENSIONS ARE IN MM”

2. * Redraw the following figure and dimension in unidirectional system as per SP:46-1988 :



3. Construct a parabola whose focus is at a distance of 60 mm from the directrix by eccentricity method.
4. Draw the auxiliary view of the inclined surface :



*

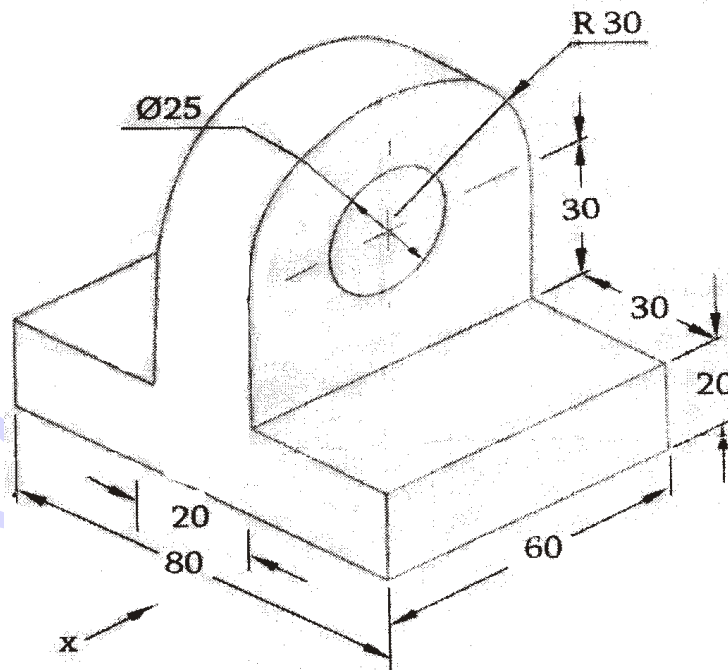
PART—B

10×4=40

Instructions : (1) Answer *any four* questions.

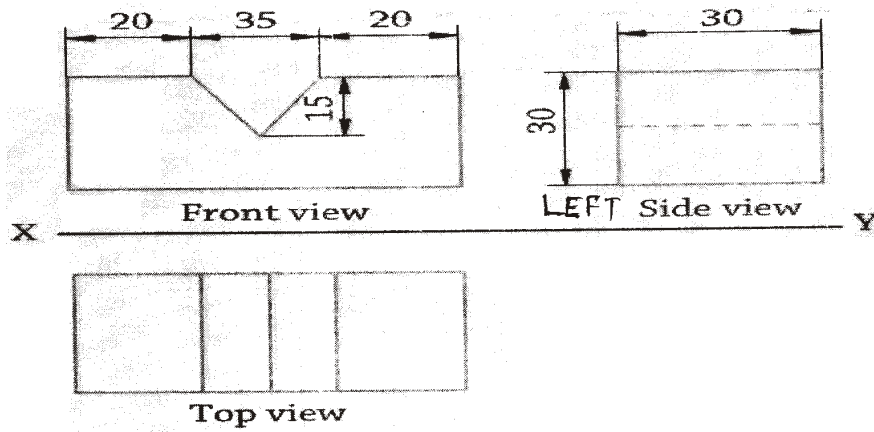
(2) Each question carries **ten** marks.

5. Construct an ellipse with major and minor axes of 90 mm and 60 mm respectively by concentric circles method.
6. Draw the projection of a cone, base 30 mm diameter and axis 50 mm long resting on HP on a point of its base circle with the axis making an angle of 45° with HP and parallel VP.
7. Draw the front view, top view and right-side view of the object shown below :



8. A square prism of base side of 30 mm and height 60 mm is resting on HP on one of its bases, with a base side inclined at 30° to VP. It is cut by a plane inclined at 45° to HP and perpendicular to VP and is bisecting the axis of the prism. Draw the front view, sectional top view and true shape of section.

9. * Draw the isometric view from the orthographic projections shown below :



10. A cylinder diameter of base 40 mm and height 50 mm is standing on its base on HP. A cutting plane inclined at 45° to the axis of the cylinder, passes through the left extreme point of the top base. Develop the lateral surface of the truncated cylinder.
