



C-14-CHPC/EC/PET-107

4037

BOARD DIPLOMA EXAMINATION, (C-14)

APRIL/MAY—2015

DECE—FIRST YEAR EXAMINATION

ENGINEERING DRAWING

Time : 3 hours]

[Total Marks : 60

PART—A

5×4=20

Instructions : (1) Answer **all** questions.

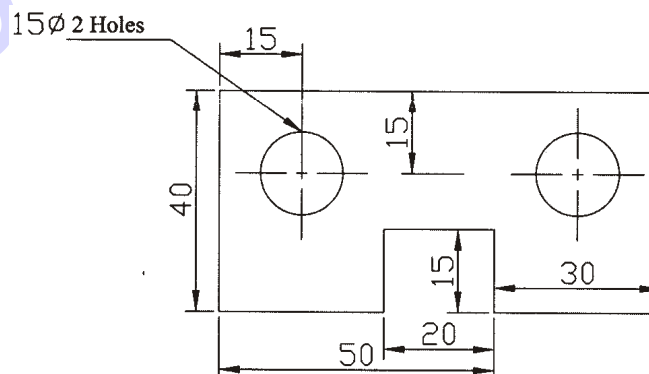
(2) Each question carries **five** marks.

(3) All dimensions are in mm.

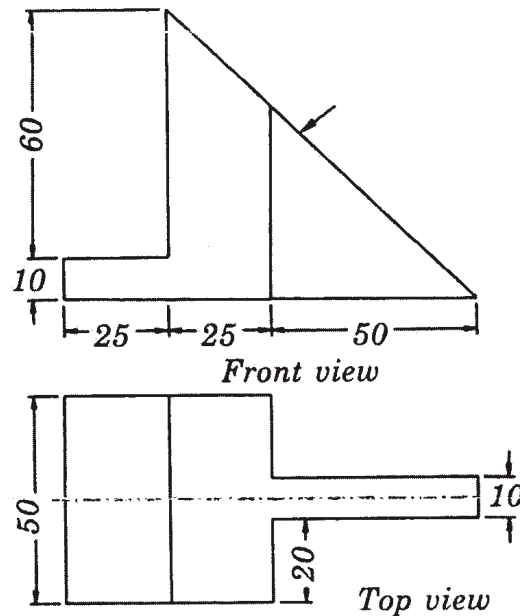
1. Print the following in single-stroke vertical capital lettering of 12 mm size as per SP:46-1988 :

“SKILL DEVELOPMENT CENTER”

2. Redraw the following figure to full size scale and dimension it according to SP:46-1988 :



3. * Draw a pentagon of side 30 mm by semicircle method.
4. Draw the auxiliary view of inclined portion of the object shown in the figure below :



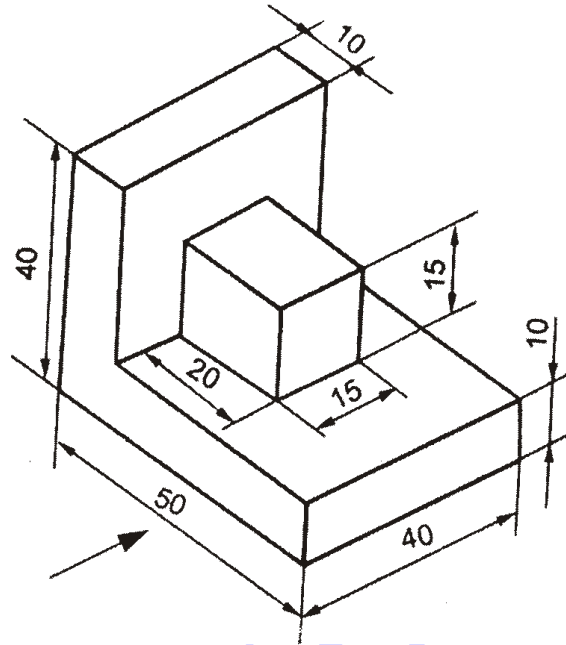
PART—B

10×4=40

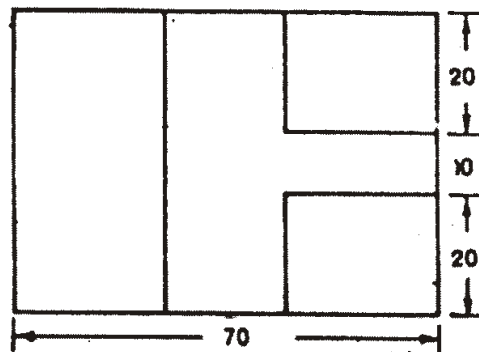
- Instructions :** (1) Answer any **four** questions.
 (2) Each question carries **ten** marks.
 (3) All dimensions are in mm.

5. Construct an ellipse by concentric circles method with the following information :
 Length of major axis—80 mm
 Length of minor axis—60 mm
6. A line of length 70 mm is parallel and 20 mm in front of VP. It is also inclined at 45° to HP and one end is on it. Draw its projections.
7. A right circular cylinder of diameter 50 mm and height 70 mm rests on its base such that its axis is inclined at 45° to HP and parallel to VP. A cutting plane parallel to HP and perpendicular to VP cuts the axis at a distance of 40 mm from the bottom. Draw the Front View and Sectional Top View.

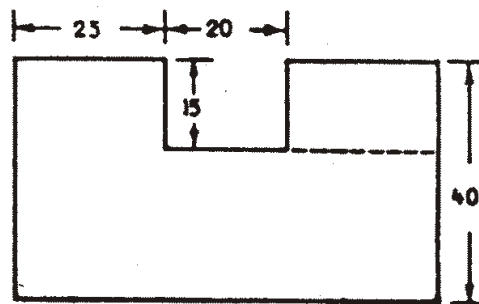
8. * Draw the Front View, Top View and Right Side View of the object shown in the figure below :



9. Draw the Isometric view of the block whose orthographic views are given in third angle projection :



Top view



Front view

- 10.* A hexagonal prism of base 20 mm and height 50 mm is standing vertically on ground with one of its base edges parallel to VP. It is cut by a sectional plane, inclined at 45° to HP, perpendicular to VP and passing through one of the top corners of the prism. Draw the development of lateral part of the cut prism.

100 100 100 100 100